

Ezi Loada Aluminium Ramps

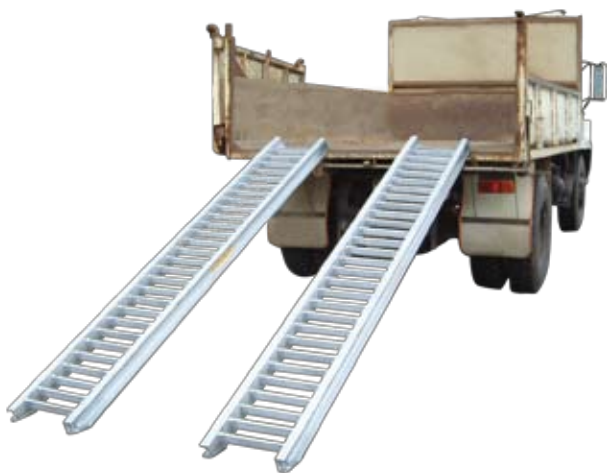
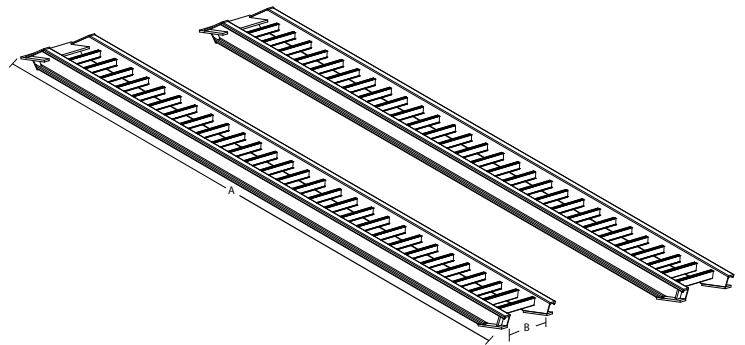
Superior manufactured aluminium ramps. 100% Australian made on Digga high tech robotic welder, maintaining consistent weld for longer life and reliability. Ramps available for both rubber and steel track machines

Features:

- Clean consistent welding
- Stronger Channel rails for superior wear and tear
- NATA Certified testing
- Full Range up to 9 tonne rated
- Additional high traction rungs prevent slippage

Ideal Use:

Loading heavy machinery on to trucks.



Specifications	Length (A)	Width (B)	Weight Kgs (per ramp)
1.8T	2400mm	270mm	16
3T	2900mm	300mm	28.5
3T	3300mm	300mm	32.5
3T	3300mm	350mm	33.5
3T	3450mm	350mm	36
3T	3300mm	450mm	41
3.6T	3450mm	350mm	38.5
4.8T	3450mm	350mm	42
4.8T	3450mm	450mm	45
4.8T	3450mm	500mm	47
4.8T Track	3450mm	450mm	46.5
7T Track	3550mm	500mm	60.5
9T Track	3550mm	500mm	77.5

DIGGA Head Office

Brisbane QLD

4 Octal Street,
Yatala QLD 4207
Ph: (07) 3807 3330
Fax: (07) 3807 1499

Email: info@digga.com Web: www.digga.com

DIGGA NSW

1 Gallipoli St, Smeaton
Grange, NSW, 2567
Ph: (02) 4647 1400
Fax: (02) 4647 1433

DIGGA VIC

21-25 Villas Road,
Dandenong VIC, 3175
Ph: (03) 9706 6171
Fax: (03) 9706 6164

DIGGA WEST

13 Yampi Way,
Willetton, WA, 6155
Ph: (08) 9457 1544
Fax: (08) 9457 0748

