

# MINI ANGLE DOZER BLADE



AUSTRALIA'S PREMIER ATTACHMENT MANUFACTURER



## Mini Angle Dozer Blade (ML-200)

The Digga Mini Angle Dozer Blade is a versatile attachment for dozing, levelling ground and general earthmoving works.

### Features:

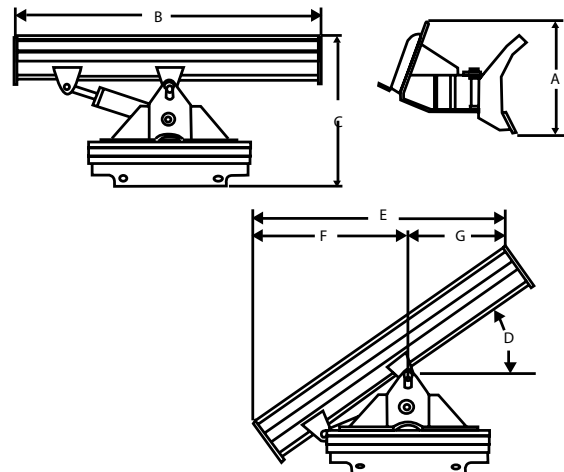
- 46" width available. (117cm)
- 30° left and right angle.
- Replaceable wear edge.
- 11° left and right tilt on Angle/Tilt model only.  
*ML-000381:* suit dual remote machines  
*ML-000382:* suit single remote machine  
(complete with Manual Hydraulic Diverter Valve)

### Ideal Use:

Dozing, grading, levelling of material in earthworks, landscaping, roadworks and more.

### Machine Suitability:

Mini Machines, Mini Loaders.



Specifications	
Height (A)	431mm
Width (B)	1193mm
Length (C)	558mm
Angle - Left & Right (D)	30°
Blade Width at Maximum Angle (E)	1016mm
Width from Centreline to Inside Edge @ Maximum Angle (F)	584mm
Width from Centreline to Outside Edge @ Maximum Angle (G)	393mm
Weight ( kgs)	116kgs



84" Dozer Blade also available



### DIGGA Head Office

#### Brisbane QLD

4 Octal Street,  
Yatala QLD 4207  
Ph: (07) 3807 3330  
Fax: (07) 3807 1499

Email: [info@digga.com](mailto:info@digga.com) Web: [www.digga.com](http://www.digga.com)

### DIGGA NSW

1 Gallipoli St, Smeaton  
Grange, NSW, 2567  
Ph: (02) 4647 1400  
Fax: (02) 4647 1433

### DIGGA VIC

21 - 25 Villas Road  
Dandenong VIC, 3175  
Ph: (03) 9706 6171  
Fax: (03) 9706 6164

### DIGGA WEST

6/15 Yampi Way,  
Willetton, WA, 6155  
Ph: (08) 9457 1544  
Fax: (08) 9457 0748

