



MINI HOE

AUSTRALIA'S PREMIER ATTACHMENT MANUFACTURER



Mini Hoe

For easy disposal of dirt. Designed for digging shallow trenches.

Features:

- Wide Bucket range from 150mm to 600mm
- Connects directly to your loader
- Low cost attachment

Ideal Use:

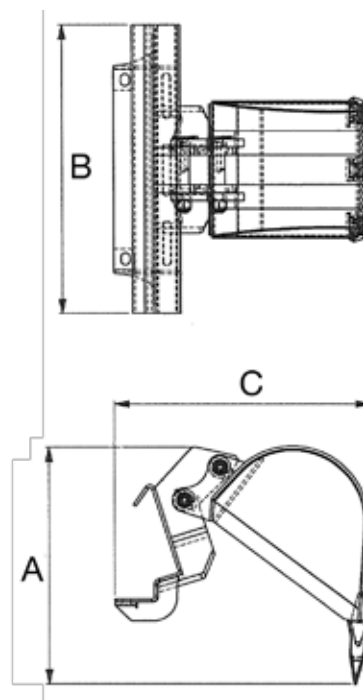
Shallow excavations

Machine Suitability:

Mini Loaders, Mini Machines and small skid steers



Skid Hoe also available



Specification:	150mm Wide	200mm Wide	300mm Wide	400mm Wide	600mm Wide
Weight	14kgs	16kgs	19kgs	23kgs	29kgs
A Height (Overall)	495mm	495mm	495mm	495mm	495mm
B Width (Overall)	601mm	601mm	601mm	601mm	601mm
C Length (Overall)	529mm	529mm	529mm	529mm	529mm
Max Digging Depth	300mm	300mm	300mm	300mm	300mm

GET ATTACHED

with an experienced partner

DIGGA Head Office

Brisbane QLD
 4 Octal Street,
 Yatala QLD 4207
 Ph: (07) 3807 3330
 Fax: (07) 3807 1499

Email: info@digga.com Web: www.digga.com

DIGGA NSW

1 Gallipoli St, Smeaton
 Grange, NSW, 2567
 Ph: (02) 4647 1400
 Fax: (02) 4647 1433

DIGGA VIC

21 - 25 Villas Road
 Dandenong VIC, 3175
 Ph: (03) 9706 6171
 Fax: (03) 9706 6164

DIGGA WEST

13 Yampi Way,
 Willeton, WA, 6155
 Ph: (08) 9457 1544
 Fax: (08) 9457 0748

