

MINI LIGHT WEIGHT TRENCHER



AUSTRALIA'S PREMIER ATTACHMENT MANUFACTURER

Mini Light Weight Trencher

The Digga Mini Light weight Trencher is designed specifically for those smaller mini machines with a reduced weight but same powerful trenching abilities.

Features:

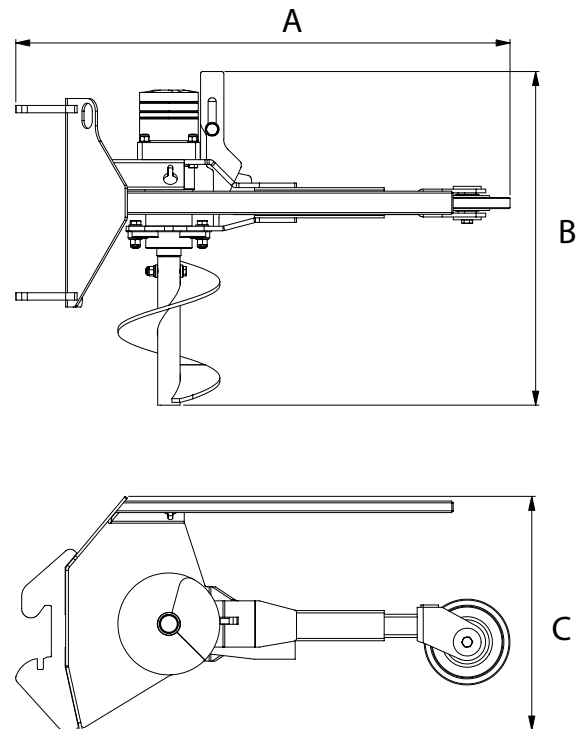
- Ideal for irrigation, garden lighting and drainage trenchers.
- Upto 600mm digging depth and 100mm digging width with a 1.654" chain.

Ideal Use:

Pipe laying for irrigation, underground power and communications, road repairs and general construction.

Machine Suitability:

Mini Machines, Excavators, Small Skid Steer Loader



Specifications	Mini Light Weight Trencher
Length (A)	720mm
Width (B)	1066mm
Height (C)	504mm
Weight (kg) - no chain	86kgs
Hydraulic Flow (LPM)	up to 22
Max Pressure (BAR)	186
Cutting Depths (D)	Up to 600mm
Cutting Widths	100mm



Bigfoot Trencher and Hydrive Trencher also available

DIGGA Head Office

Brisbane QLD

4 Octal Street,
Yatala QLD 4207
Ph: (07) 3807 3330
Fax: (07) 3807 1499

DIGGA NSW

1 Gallipoli St, Smeaton
Grange, NSW, 2567
Ph: (02) 4647 1400
Fax: (02) 4647 1433

DIGGA VIC

21 - 25 Villas Road
Dandenong VIC, 3175
Ph: (03) 9706 6171
Fax: (03) 9706 6164

DIGGA WEST

13 Yampi Way,
Willetton, WA, 6155
Ph: (08) 9457 1544
Fax: (08) 9457 0748

Email: info@digga.com Web: www.digga.com

