



MINI SKID HOE

AUSTRALIA'S PREMIER ATTACHMENT MANUFACTURER



Mini Skid Hoe

The Digga Mini Skid Hoe is perfect for digging trenches and footings upto 1.27m deep with a large bucket range suiting most mini machines and small skid steers.

Features:

- Dig Trenches up to 1270mm deep
- Bucket curl feature
- Standard with 12" (300mm) bucket
- Fits most major mini loader brands
- Unique yoke design ensures maximum open of the cylinder providing full reach and optimizing clean out of bucket
- Manual side shift frame available for off centre digging

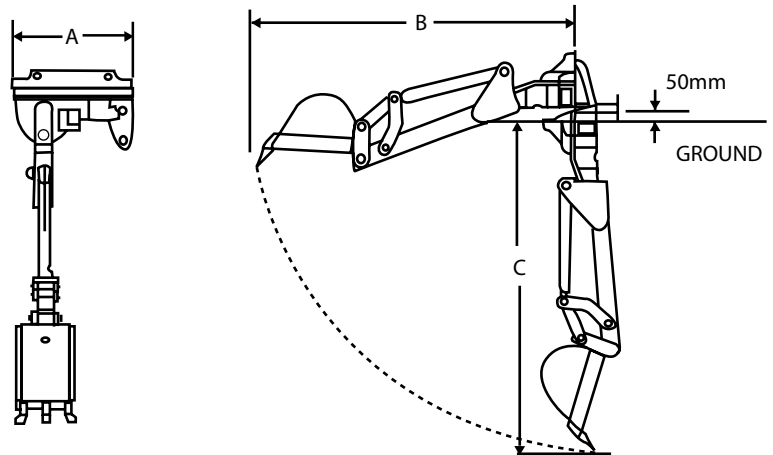
Ideal Use:

Digging Trenches and Footings



Machine Suitability:

Mini Loaders, Mini Machines and small skid steers



Skid Hoe also available

Specification:	
Width (A)	635mm
Reach (B)	1295mm
Digging Depth (C)	1270mm
Digging Force (bucket cylinder)	907kgs
Weight	70kgs

GET ATTACHED

with an experienced partner

DIGGA Head Office

Brisbane QLD

4 Octal Street,
Yatala QLD 4207
Ph: (07) 3807 3330
Fax: (07) 3807 1499

DIGGA NSW

1 Gallipoli St, Smeaton
Grange, NSW, 2567
Ph: (02) 4647 1400
Fax: (02) 4647 1433

DIGGA VIC

21 - 25 Villas Road
Dandenong VIC, 3175
Ph: (03) 9706 6171
Fax: (03) 9706 6164

DIGGA WEST

13 Yampi Way,
Willetton, WA, 6155
Ph: (08) 9457 1544
Fax: (08) 9457 0748

Email: info@digga.com Web: www.digga.com

