



Mini Trencher

The new Digga Mini Trencher designed specifically for mini loaders is the lightest, most compact, power packed mini trencher on the market today. Unique design gives the operator consistent digging depth, efficient spoil to one side of the trench and finely crumbed spoil for effecting compaction back into the trench. Provides minimal ground disturbance to surrounding conditions and a cleaner job finish.

Features:

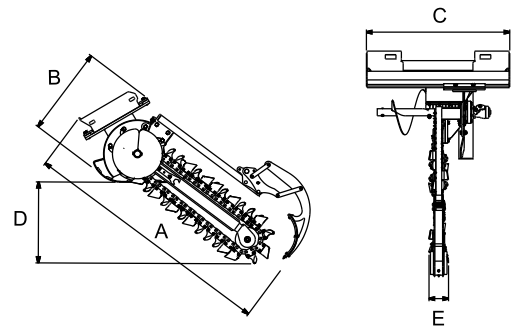
- Quality Digga New Generation gearbox & motor
- Adjustable Skid Foot to maintain constant digging depth
- High quality bearings and components
- 4 Different chain options available; Earth, Frost, Combo and Diggatac
- Up to 900mm Digging Depth and 200mm Digging Width
- Frame can be side shifted for digging close to permanent structures

Ideal Use:

Pipe laying for irrigation, underground power and communications, road repairs and general construction.

Machine Suitability:

Mini Machines, Excavators, Small Skid Steer Loader



Specifications	MINI BFT
Length (A)	1880
Horizontal Height (B)	800
Width (C)	960
Weight (kg) - no chain	145k
Hydraulic Flow (LPM)	30-115
Cutting Depths (D)	Up to 900mm
Cutting Widths	100mm 150mm 200mm

Bigfoot Trencher and Hydrive Trencher also available

DIGGA Head Office

Brisbane QLD

4 Octal Street,
Yatala QLD 4207
Ph: (07) 3807 3330
Fax: (07) 3807 1499

DIGGA NSW

1 Gallipoli St, Smeaton
Grange, NSW, 2567
Ph: (02) 4647 1400
Fax: (02) 4647 1433

DIGGA VIC

21 - 25 Villas Road
Dandenong VIC, 3175
Ph: (03) 9706 6171
Fax: (03) 9706 6164

DIGGA WEST

13 Yampi Way,
Willetton, WA, 6155
Ph: (08) 9457 1544
Fax: (08) 9457 0748

Email: info@digga.com Web: www.digga.com