

MINI VIBRATING PLOUGH



AUSTRALIA'S PREMIER ATTACHMENT MANUFACTURER

Mini Vibrating Plough

The Digga Mini Vibrating Plough is perfect for trenchless laying of pipes and cables.

Features:

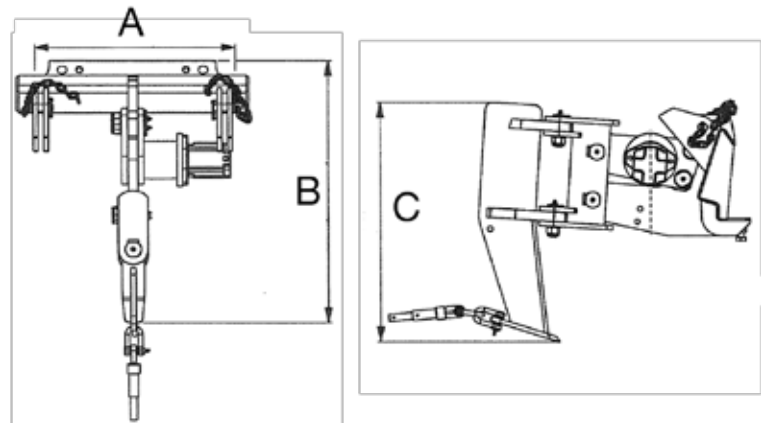
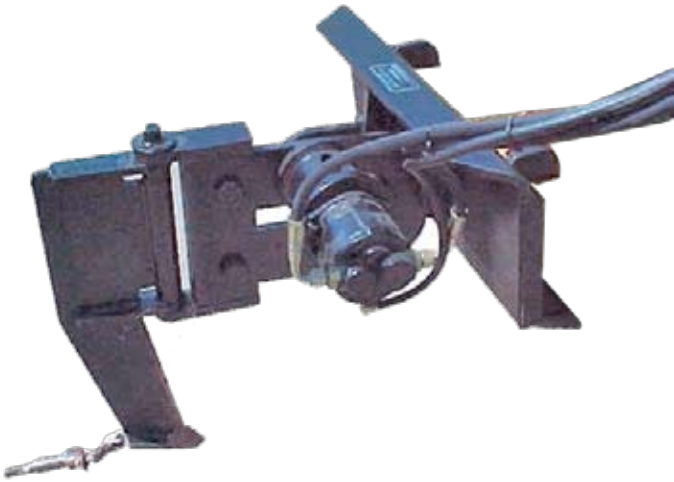
- Allows for trenchless laying of irrigation pipes or cables up to 32mm in diameter
- Upto 150 mm digging depth

Ideal Use:

Pipe laying for irrigation, underground power and communications

Machine Suitability:

Mini Machines, Excavators, Small Skid Steer Loader



Bigfoot Trencher and Hydrive Trencher also available

Specifications	Mini Vibrating Plough
A Width	613mm
B Length	697mm
C Height	642mm
Weight (kg)	81kgs
Hydraulic Flow (LPM)	up to 45
Max Pressure (BAR)	220
Cutting Depths (D)	Up to 150mm
Cutting Widths	Up to 32mm

GET ATTACHED

with an experienced partner

DIGGA Head Office

Brisbane QLD

4 Octal Street,
Yatala QLD 4207
Ph: (07) 3807 3330
Fax: (07) 3807 1499

Email: info@digga.com Web: www.digga.com

DIGGA NSW

1 Gallipoli St, Smeaton
Grange, NSW, 2567
Ph: (02) 4647 1400
Fax: (02) 4647 1433

DIGGA VIC

21 - 25 Villas Road
Dandenong VIC, 3175
Ph: (03) 9706 6171
Fax: (03) 9706 6164

DIGGA WEST

13 Yampi Way,
Willetton, WA, 6155
Ph: (08) 9457 1544
Fax: (08) 9457 0748

