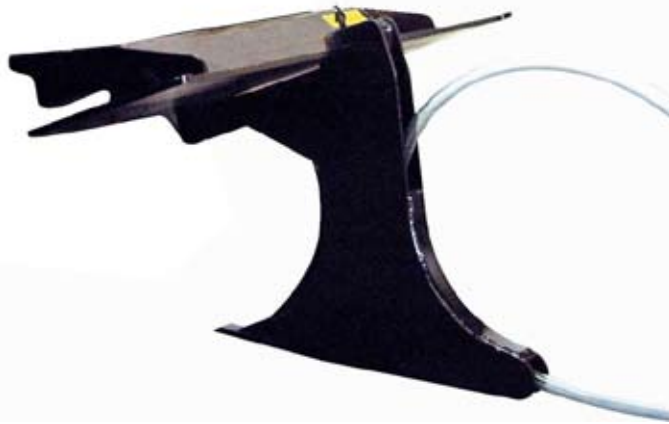




# MINI POLY PIPE LAYER

AUSTRALIA'S PREMIER ATTACHMENT MANUFACTURER



## Mini Poly Pipe Layer

The Digga Mini Poly Pipe Layer is ideal for laying poly pipe with little ground disturbance

### Features:

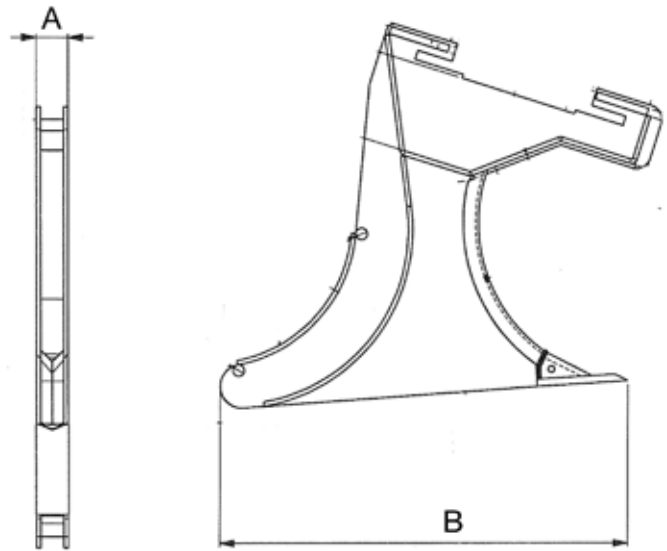
- Wheel blade cuts neatly through turf with plough head leaving neat channel
- Pipe or cable is fed directly to ground via a hollow plug with little ground disturbance
- Requires Mini Multi Tool Bar Attachment

### Ideal Use:

Ideal for laying poly pipe or low voltage cable just below the ground surface

### Machine Suitability:

Mini Loaders and small skid steers



Specification:	Mini Poly Pipe Layer
Weight:	15kgs
A Width (overall)	44mm
B Length (Overall)	568mm
Pipe Diameter	12mm to 20mm

# GET ATTACHED

*with an experienced partner*

#### DIGGA Head Office

#### Brisbane QLD

4 Octal Street,  
Yatala QLD 4207  
Ph: (07) 3807 3330  
Fax: (07) 3807 1499

Email: [info@digga.com](mailto:info@digga.com) Web: [www.digga.com](http://www.digga.com)

#### DIGGA NSW

1 Gallipoli St, Smeaton  
Grange, NSW, 2567  
Ph: (02) 4647 1400  
Fax: (02) 4647 1433

#### DIGGA VIC

21 -25 Villas Road  
Dandenong VIC, 3175  
Ph: (03) 9706 6171  
Fax: (03) 9706 6164

#### DIGGA WEST

13 Yampi Way,  
Willetton, WA, 6155  
Ph: (08) 9457 1544  
Fax: (08) 9457 0748

