

# ONE MAN 'LITTLE DIGGA' POST HOLE BORER



AUSTRALIA'S PREMIER ATTACHMENT MANUFACTURER

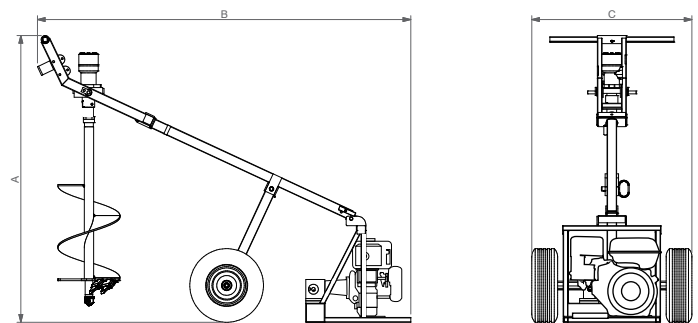


## One Man 'Little Digga' - Post Hole Borer

100% Australian made one man drilling machine  
The Little Digga is safe and powerful yet it won't throw the operator about. With its durable rubber tyres the Little Digga is easy to move about making it perfect for Fencing, Post Holes, Tree Planting various agricultural and construction uses.

### Features:

- Anti-kick back for safe operation
- Hydraulic power with reverse operation
- Collapses into 5 sections for easy transportation
- Uniquely balanced for easy operation
- Handle shifts for close up digging
- Heavy duty augers with quality cutting tips
- A1 Augers unique design reduces jamming
- 6hp/9hp models available



Specifications	6HP	9HP
Height (A)	1500mm	1500mm
Length (B)	1950mm	1950mm
Width (C)	840mm	840mm
Weight (no motor)	77kg	77kg
Motor Weight	17kg	28kg

### DIGGA Head Office

#### Brisbane QLD

4 Octal Street,  
Yatala QLD 4207  
Ph: (07) 3807 3330  
Fax: (07) 3807 1499

Email: [info@digga.com](mailto:info@digga.com) Web: [www.digga.com](http://www.digga.com)

### DIGGA NSW

1 Gallipoli St, Smeaton  
Grange, NSW, 2567  
Ph: (02) 4647 1400  
Fax: (02) 4647 1433

### DIGGA VIC

21-25 Villas Road  
Dandenong VIC, 3175  
Ph: (03) 9706 6171  
Fax: (03) 9706 6164

### DIGGA WEST

13 Yampi Way,  
Willetton, WA, 6155  
Ph: (08) 9457 1544  
Fax: (08) 9457 0748

